



Series 1406

WaterMarked
Mini Ball Valve M&F

FEATURES

MANUFACTURED IN ITALY

WATERMARKED TO ATS 5200.012 LICENCE WMKA20044

BLOW-OUT PROOF STEM

MUST BE OPERATED IN FULLY OPEN OR CLOSED POSITION

ALL VALVES PRESSURE TESTED DURING PRODUCTION

SIZE: 15MM

OTHER SIZES AVAILABLE UPON REQUEST

PRESSURE AND TEMPERATURE RATINGS

TEMPERATURE RANGE: 0°C TO 80°C

MAXIMUM OPERATING PRESSURE AT NOMINAL TEMPERATURES: 1600 kPa



WaterMark

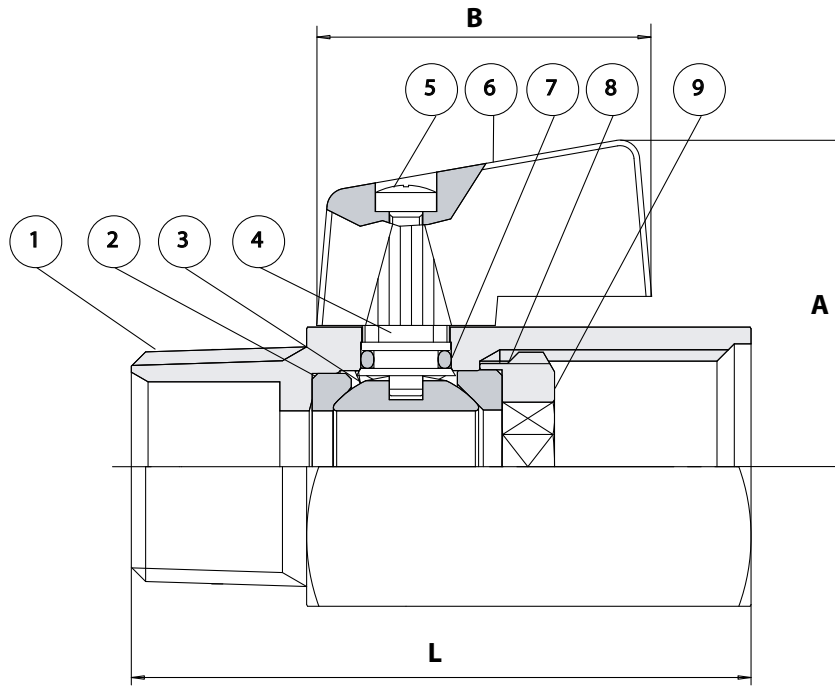
LN WMKA20044
ATS 5200.012

Series 1406

WaterMarked Mini Ball Valve M&F



DIMENSIONAL AND COMPONENT DIAGRAM



MATERIALS

POS.	PART NAME	MATERIALS
1	BODY	DZR BRASS (CHROME PLATED)
2	SEAL	PTFE
3	BALL	DZR BRASS (CHROME PLATED)
4	STEM	DZR BRASS (CHROME PLATED)
5	SCREW	ZINC PLATED STEEL
6	HANDLE	NYLON
7	O-RING	EPDM PEROXIDE
8	SEAL	PTFE
9	RETAINING NUT	DZR BRASS

DIMENSIONS - mm

Prod. Code	Size	A	B	L	Kv	Wgt kg
1406015	15	29.5	30	55.5	1.32	0.130