



ZIP HYDROTAP G4

THE ENVIRONMENTALLY RESPONSIBLE CHOICE

World class air cooled technology

The following document provides information on the various options for the provision of adequate air circulation within the cupboard space

Providing correct air flow results in the following:

- Optimal performance
- Up to 53% reduction in energy consumption*
- Reduced wear and tear on components
- Reduced maintenance
- Extended product life
- Reduced running costs

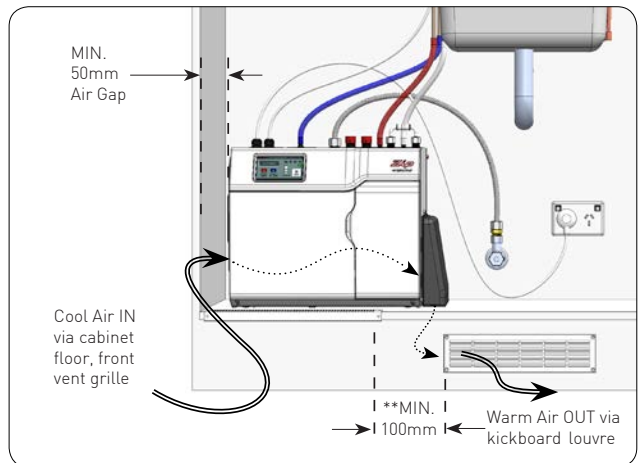
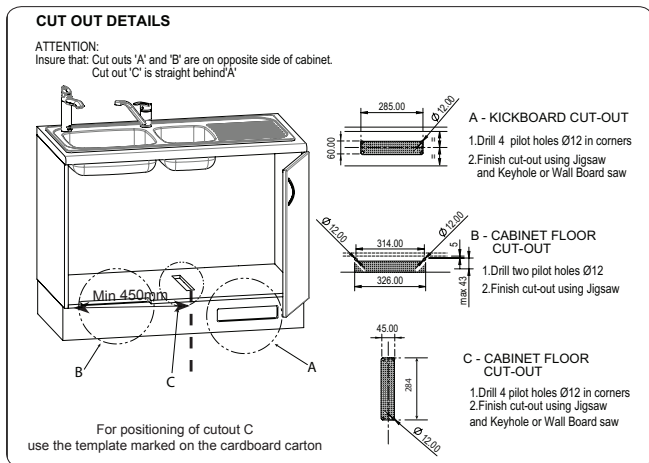
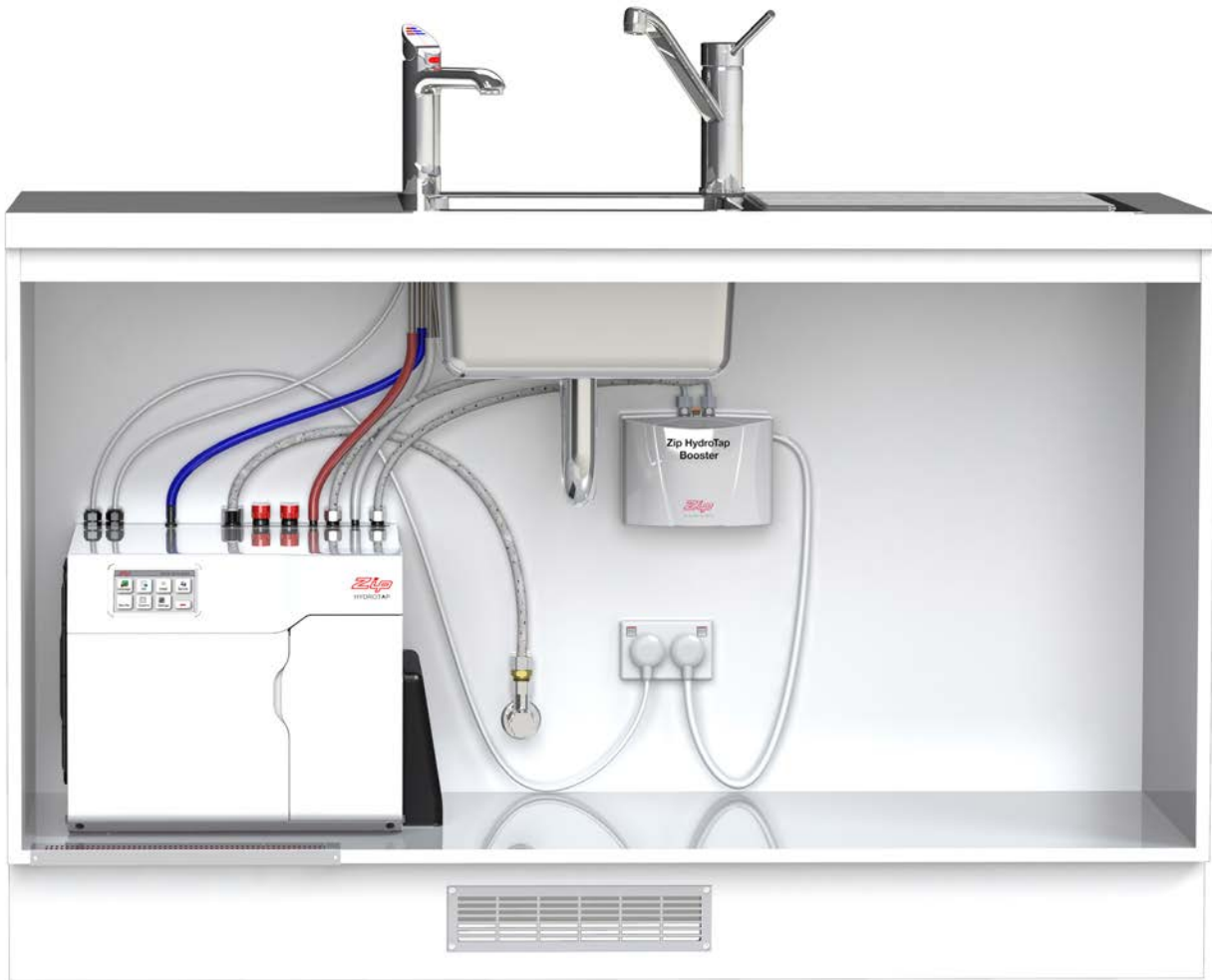
*energy reduction compared with previous generation of products, refer to Sustainability Brochure for further details.



HYDROTAP G4 CROSS-FLOW

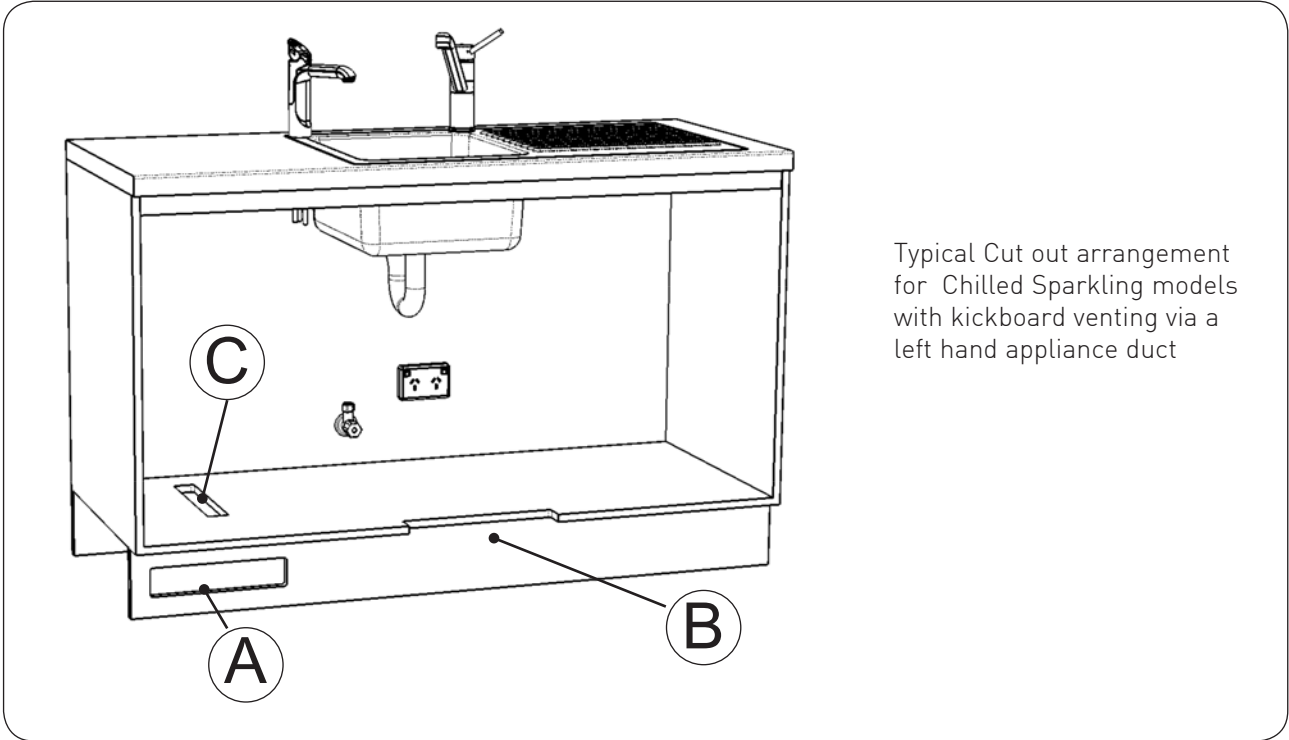
RECOMMENDED INSTALLATION

Proper air circulation must be provided for commercial HydroTap models that have chilled or chilled sparkling functionality. The HydroTaps unique Cross-Flow kit is supplied with the product and is designed to ensure optimum efficiency using forced air flow. If this kit cannot be fitted one of the other available options will need to be installed.

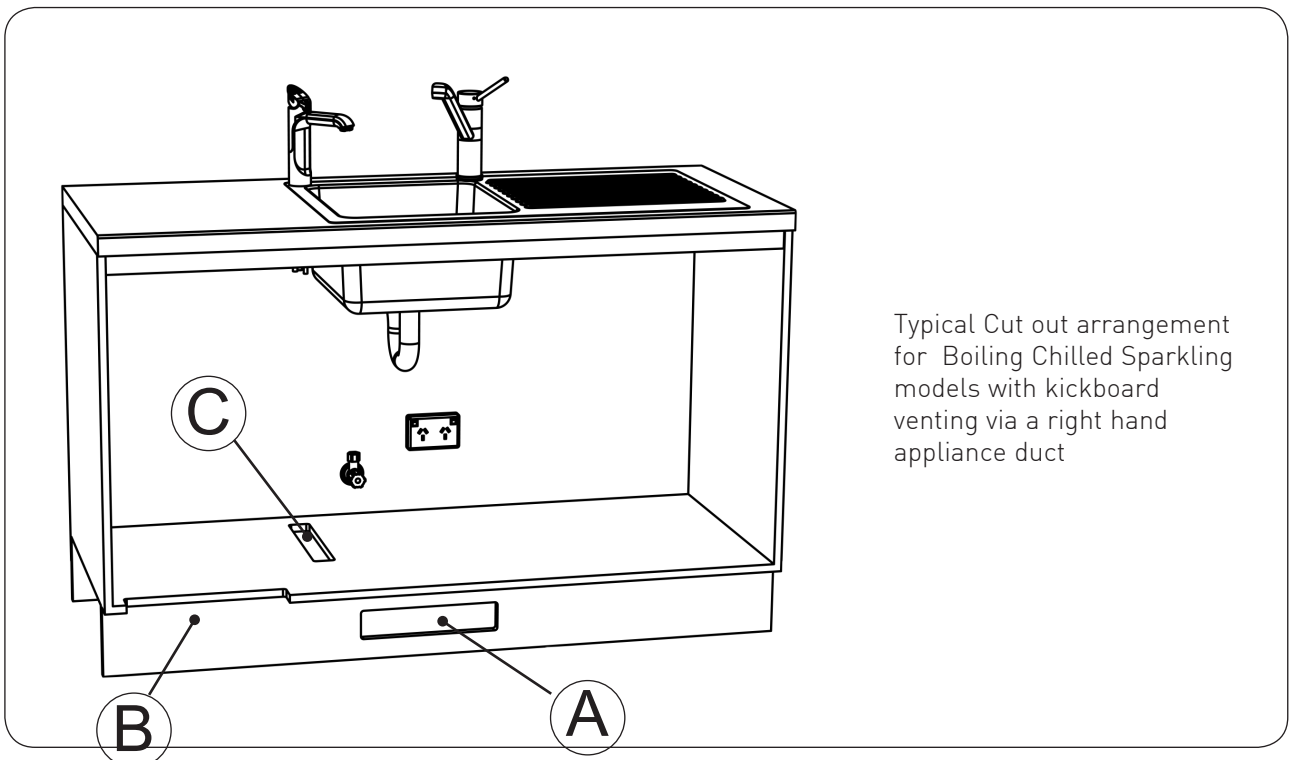


HYDROTAP G4 CROSS-FLOW

CHILLED SPARKLING



BOILING CHILLED SPARKLING

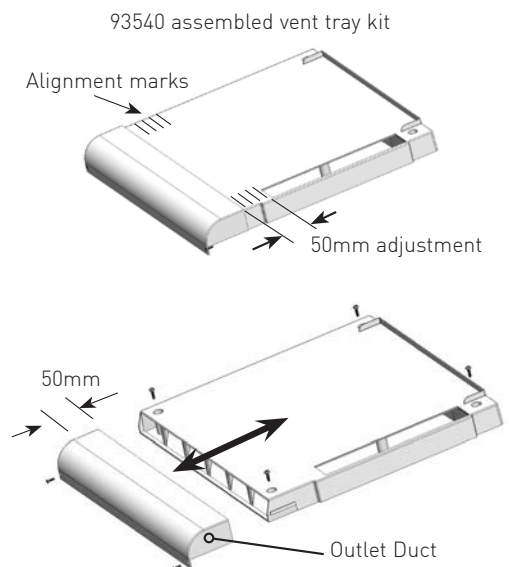
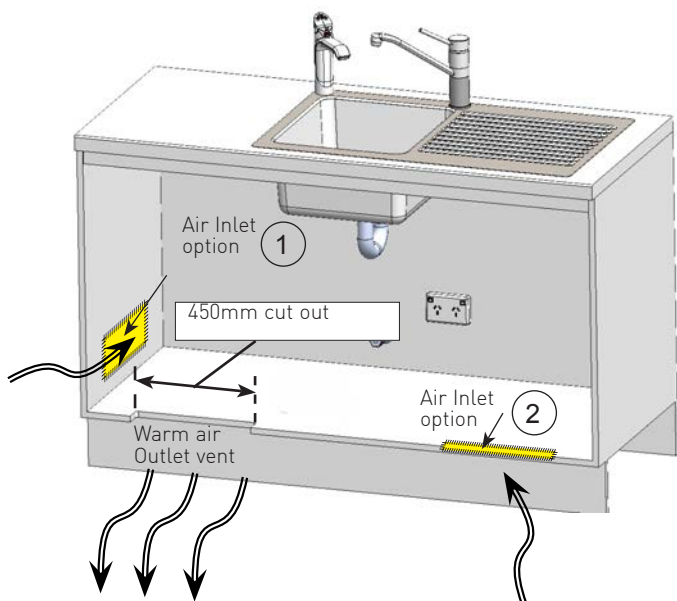


HYDROTAP G4 VENT TRAY KIT

INSTALLATION OPTION 1

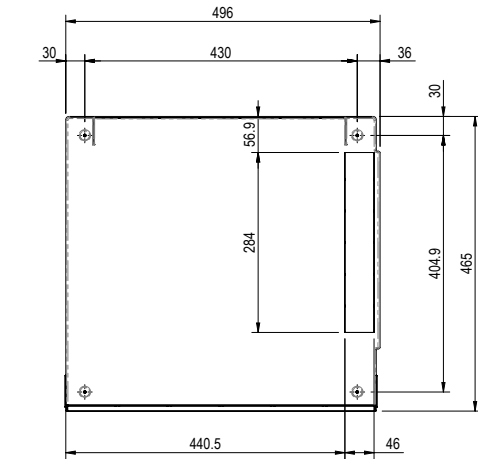
Installation showing the correct Air Flow using the vent tray.

The Vent Tray Kit should be used to provide proper air circulation when the Cross-Flow kit which is supplied with commercial HydroTap models that have chilled or chilled sparkling functionality cannot be fitted. The HydroTap will only operate at its optimum efficiency if the recommended air flow is achieved.

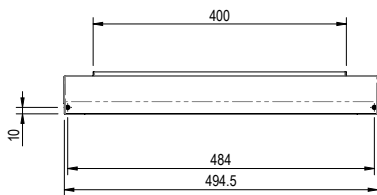


HYDROTAP G4 VENT TRAY KIT

Vent Tray Kit for BC and BCS Commercial Models, part #93540



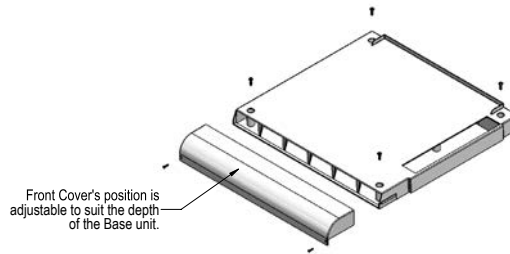
TOP VIEW
(FRONT COVER REMOVED FOR CLARITY)



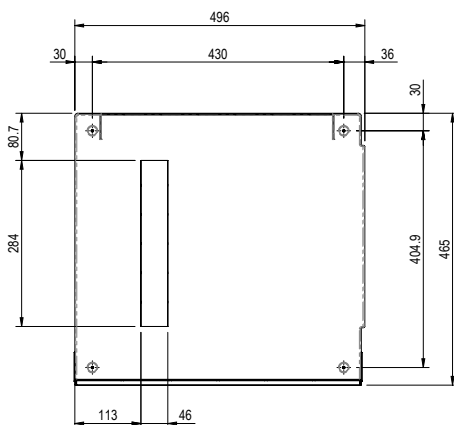
FRONT VIEW



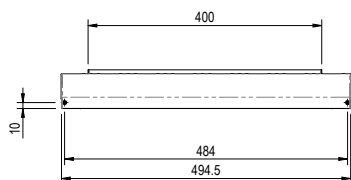
RHS VIEW



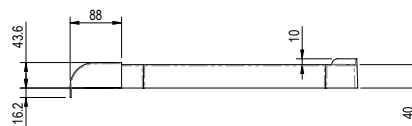
Vent Tray Kit for C and CS Commercial Models, Part #93541



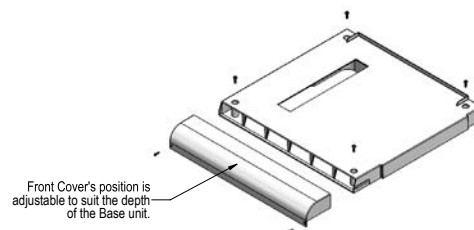
TOP VIEW
(FRONT COVER REMOVED FOR CLARITY)



FRONT VIEW



RHS VIEW



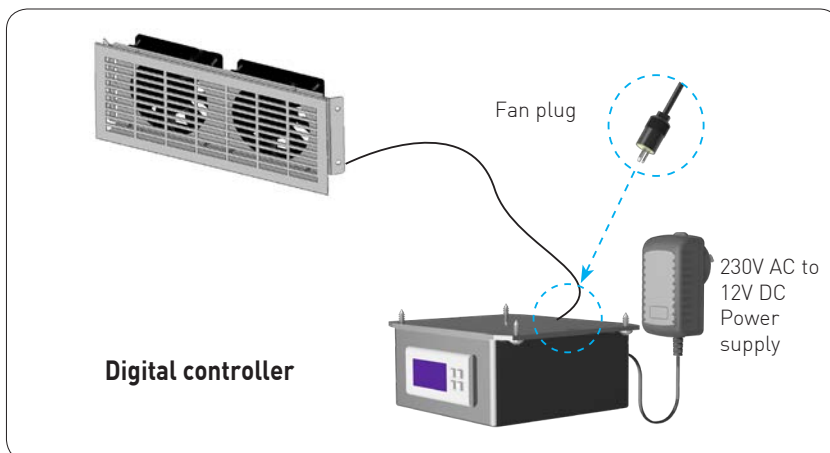
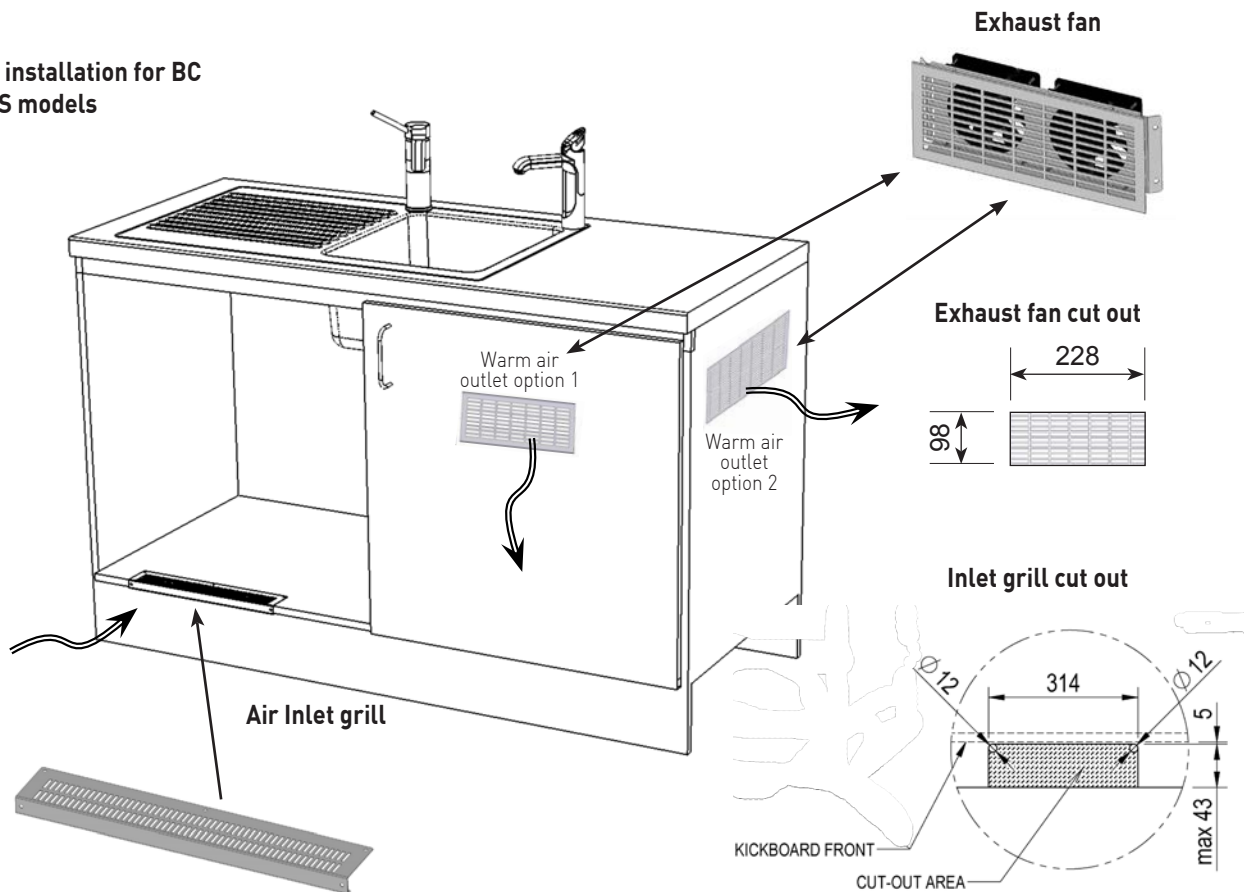
HYDROTAP G4 DUAL EXHAUST FAN KIT

INSTALLATION OPTION 2

Installation showing the correct Air Flow using the Dual exhaust Fan kit.

The Dual Exhaust Fan Kit should be used to provide proper air circulation when the Cross-Flow kit which is supplied with commercial HydroTap models that have chilled or chilled sparkling functionality cannot be fitted. The HydroTap will only operate at its optimum efficiency if the recommended air flow is achieved.

Typical installation for BC and BCS models



Zip Accessories

Dual exhaust Fan kit, part #93156
Dual exhaust fan kit with digital cupboard temperature controller, part 93159*

*some HydroTap models do not have the 2 pin DIN plug required to run the dual exhaust fan, in these instances you will require the digital temperature controller to operate the fan kit.