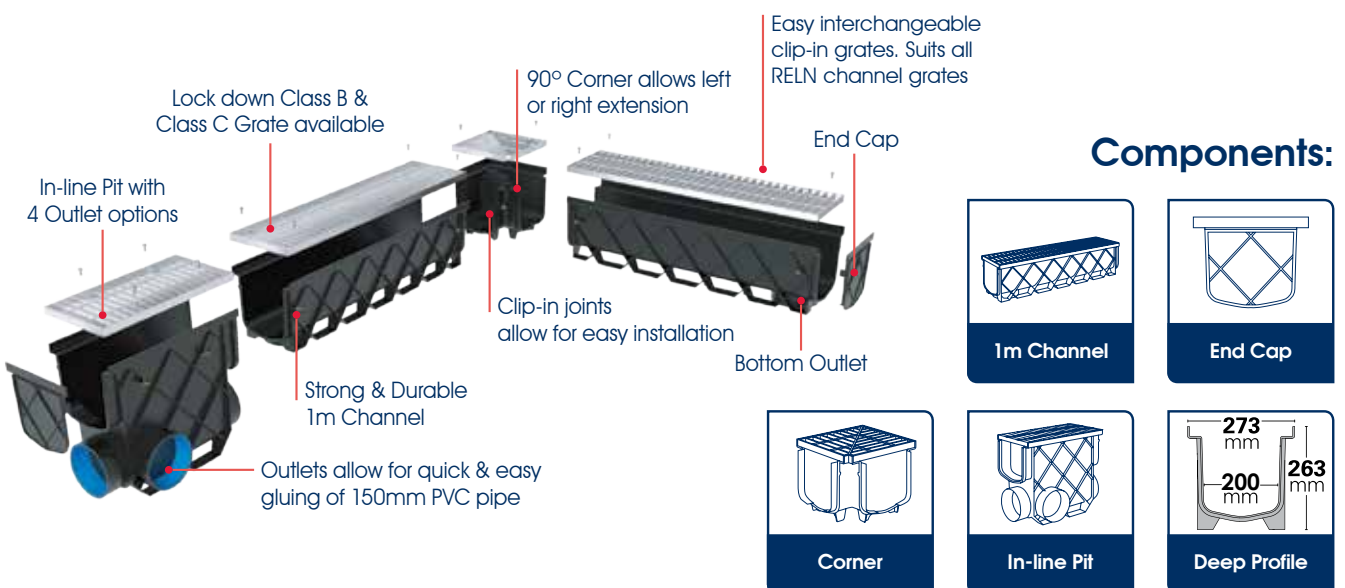




Commercial Sized Drainage

- Ideal for collection of high surfacewater flows in large domestic & light commercial applications
- Specially designed self-cleaning channel base to clear high flows of stormwater
- Class B (10 tonne) and Class C (15 tonne) grates comply with Australian Standards

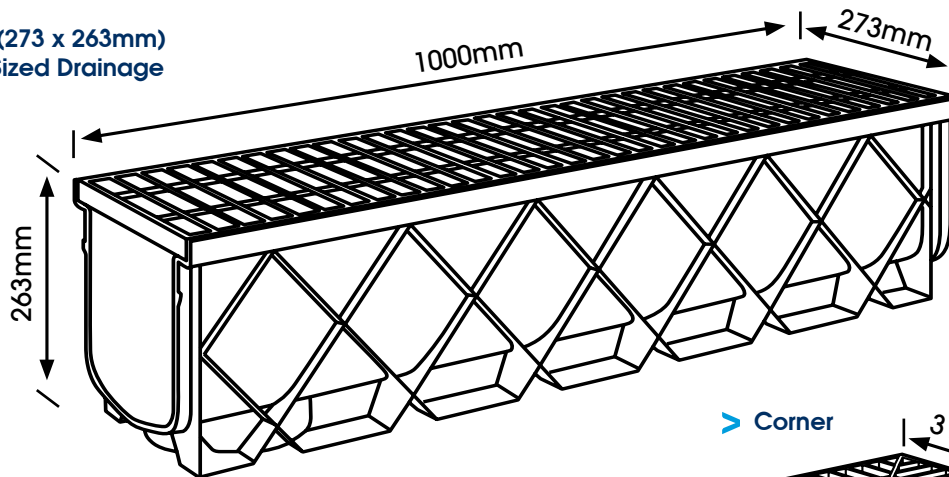




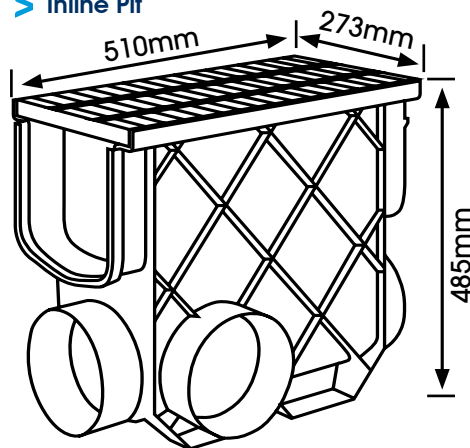
Storm Master - Commercial Sized Drainage

RELN Storm Master commercial drainage has been created specifically for heavy-use commercial applications, where heavy surfacewater flows or heavy vehicle and pedestrian traffic is a factor. The range has been designed to self clean, and is able to withstand 10 tonne of vehicle weight when installed correctly. This durable range is the master when it comes to commercial drainage.

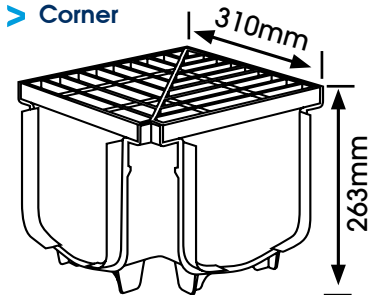
> Storm Master (273 x 263mm) Commercial Sized Drainage



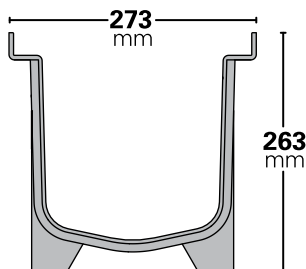
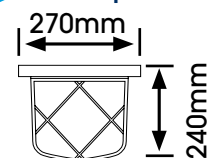
> Inline Pit



> Corner



> End Cap



- Ideal for collection of high surfacewater flows in large domestic and light commercial applications
- Designed to withstand 10 tonne vehicle weight when installed correctly
- Strong, durable and lightweight UV stabilised Polypropylene channel
- Specially designed self-cleaning channel base to clear high flows of stormwater
- Lock-in clips reduces channel movement
- Hold down feet stop floatation during pouring of concrete
- Easy clip-in Class B Galvanised Grate with lockdown down

- security available in Traditional Gal and Anti-Slip Heel Guard
- Reo clips built into channel base
- Bottom Outlet available in 1m channel
- 90° corner for left or right extensions

Grate Options: (26.4cm x 2cm x 1m) Anti-Slip Heel Guard Galvanised Steel Class B, Traditional Galvanised Steel Class B Grate

Risers: 1m Channel, Inline Pit, Corner, End Cap, Brass Inserts, Anti-Slip Grate Plugs

Displays: Flyer available

> Frequently Asked Questions

Q1. Does RELN Storm Master have a Heel Guard grate?

A. Yes, RELN Storm Master Anti-slip grate is galvanised together with Lock down bolts and has an Class "C" rating.

Q2. What is the blue ring in the inline pit for?

A. The blue ring has been specially designed and fitted to allow quick and easy joining of pipes to the pit. Just use your solvent cement with your pipe to secure.

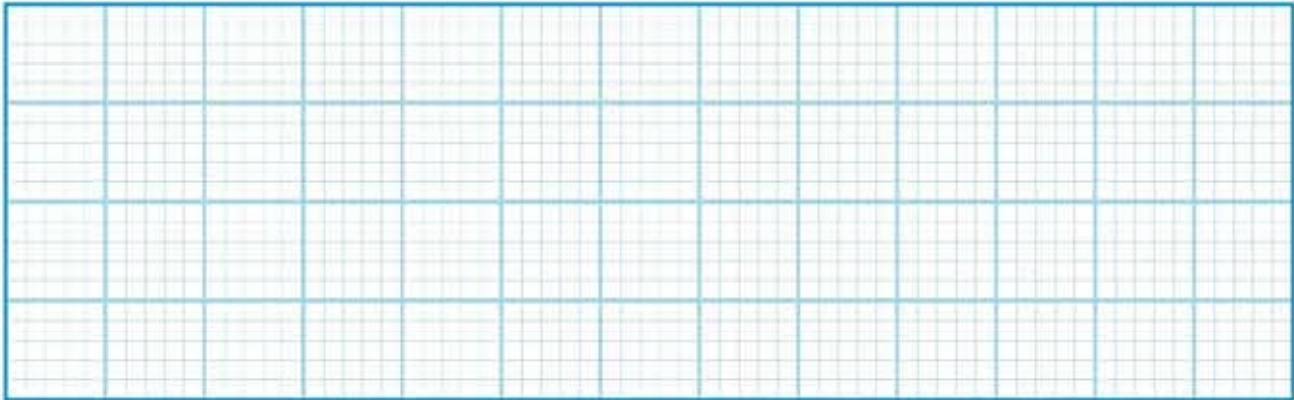
Q3. Are Storm Master Grates changeable?





A. Yes, you can remove and replace RELN grates to any of our Storm Master grates.

RELN

DIY Drainage Planner

Design your own drainage system



Component	Qty	<input checked="" type="checkbox"/>	Component	Qty	<input checked="" type="checkbox"/>
1m Channel 		<input type="checkbox"/>	Corner 		<input type="checkbox"/>
Inline Pit 		<input type="checkbox"/>	End Cap 		<input type="checkbox"/>

Installation Instructions for Storm Master®



1. Prepare ground

- Ground must be compacted and prepared to be suitable to support the intended pavement type and traffic loads. Pavements must have suitable expansion jointing to engineer requirements.
- Dig trenches suitable to provide Storm Masta® with a minimum side support of 100mm concrete and minimum 100mm concrete base when installed with concrete pavements and must be keyed to surrounding pavement to ensure channel can withstand intended traffic loads
- Fix a string line to set finished surface level and allow for a minimum fall of approximately 5mm for every 1M length for suitable runoff.
- Stormwater discharge must be at the lowest point of the installation and can be either from the bottom outlet of the channel or outlet ports for the inline pit.



2. Assemble components

- Assemble channels, corners, inline pits and end caps using silicone to seal each joint.
- Ensure the joining clips have engaged to provide a positive connection between channel sections.
- Corners can be fitted in either direction, to either channel end.
- Channel and inline pit can be connected with clips on underside to steel M12 concrete reinforcing bars.



3. Stormwater pipe connection

- By cutting out the preferred outlet port with sharp knife or hole saw, DN150 PVC Stormwater Pipe to AS1254 can be connected to Storm Masta® via either:
 - Channel bottom outlet – seal with silicone sealant.
 - Inline Pit side outlet – glue with PVC plumbers glue to blue ring.

4. Concreting

- Storm Masta® must be installed in concrete with minimum 25kPa strength (Class B grate is 2.6 tonne wheel loading).
- Grates must be assembled to Storm Masta® prior to concrete pour.
- Protect grate with tape to protect from concrete splash.
- Ensure concrete fully encases Storm Masta® channel sections.
- Finish concrete a minimum of 3mm above the edge of the channel.
- Allow full concrete cure prior to vehicle use or removal of grates – approx ten days.

**100%
Recycled Plastic**