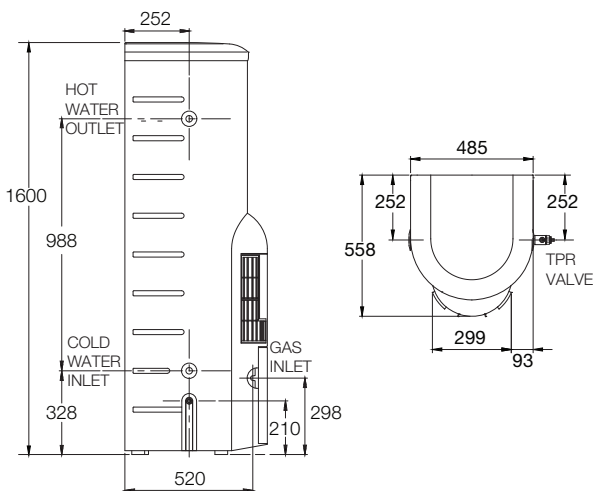




Features & Benefits

- 5 Star energy efficiency – uses less gas than 3 or 4 Star water heaters
- 200L/hour hot water recovery
- Advanced technology – the Stellar Superflue®
- Mains pressure – to service multiple hot water demands at once
- Two anodes
- Natural gas model
- Australian made
- 10 year cylinder warranty¹



MODEL	850330
Storage Capacity (L)	130
Hourly Recovery (L)	200
Gas Consumption (MJ/Hr)	42
Relief Valve Pressure (kPa)	1400
Expansion Control Valve (kPa)	1200
Max Water Supply Pressure:	
with ECV (kPa)	960
without ECV (kPa)	1120
Water Connections	Rp 3/4
Gas Connection	Rp 1/2
Approx. Weight (packaged) kg	87



Scan code for details & installation instructions

