



PLASTEC

PRODUCT SPECIFICATIONS

VINYL FLOOR WASTES

FLEXI FIN - OPEN GRATES



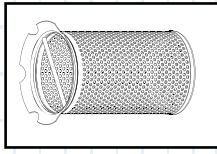
DWV



FLANGED
OPTION (I18389)



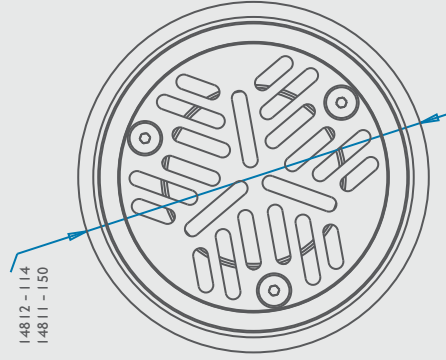
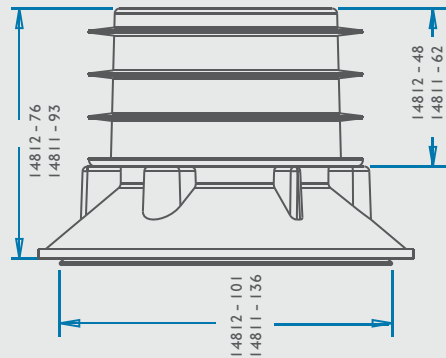
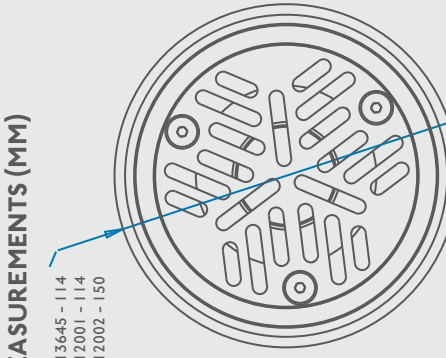
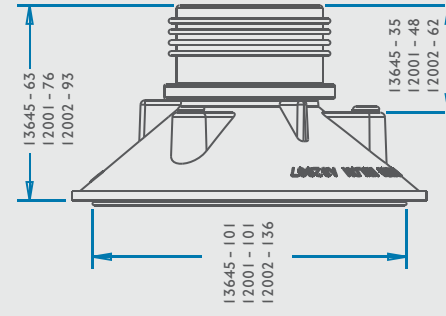
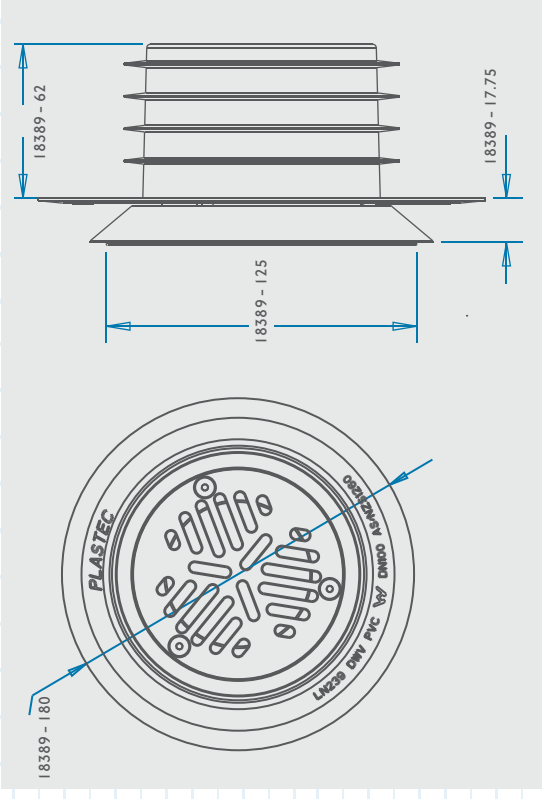
HDPE



OPTION EXTRA
(PURCHASED SEPARATELY):
**REMOVABLE STAINLESS STEEL
STRAINER BASKET ID 15931**
Easily retrofitted to all
100mmx100mm Vinyl Floor Wastes
with the exception of the Puddle
Flange Open Grate (ID 18389) and
Brass Open Grate Timber Floor
Adjustable (ID 17475 & 17485).

ID	mm	GRATE	SUIT
I3645	80x50	CHROME PLATED BRASS	DWV 66
I2001	80x80	CHROME PLATED BRASS	DWV 36
I4812	90x90	CHROME PLATED BRASS	HDPE 36
I2002	100x100	CHROME PLATED BRASS	DWV 20
I8389	100x100	STAINLESS STEEL	DWV 12
I4811	110x110	CHROME PLATED BRASS	HDPE 20

- Nylon body with chrome plated brass or stainless steel (304) grate
- DWV and HDPE options available
- Guaranteed tight seal with Flexi-fin outlet
- Flexi-Fin allows for additional adjustment
- Waterproofing flange option available (ID 18389)



MEASUREMENTS (MM)

I3645 - 114
I2001 - 114
I2002 - 150

I3645 - 63
I2001 - 76
I2002 - 93

I3645 - 101
I2001 - 101
I2002 - 136

I3645 - 35
I2001 - 48
I2002 - 62

I4812 - 114
I4811 - 150

I4812 - 76
I4811 - 93

I4812 - 101
I4811 - 136

I4812 - 48
I4811 - 62



WaterMark
AT55200.040 / 239

PH: 07 5413 4444

WWW.PLASTEC.COM.AU

DETAILS CORRECT AT TIME OF PRINTING (10.11.2015), BUT IS SUBJECT TO CHANGE