

Venecia 450

Vitreous China Wall Basin

Basin Size: 450mm x 370mm (nominal)



All taps pictured are shown for photographic purposes only

The Venecia Basins feature clean lines and smooth finishes for a sleek look and fuss-free maintenance. This basin is a cost-effective way to bring contemporary style to your bathroom. The basin is suitable for domestic, commercial and accessible applications complying to AS 1428.1-2009 Amd. 1.

Tap Holes:

Basin available in: 1 tap hole Code No.W40201.

Waste Outlet:

Chrome flush fitting waste and white plug supplied, suitable for a 40mm trap connection. Alternative waste options are available — Chrome grate waste and white plug Code No.687328C, Vandal Resistant Flush Fitting Plug and Chrome Waste Code No.687141, Covered Plug and Waste Code No.687142 and Vandal Resistant Covered Chrome Plug and Waste Code No.687143.

Shroud:

Optional Venecia shroud, Code No. W49030 conceals P-trap waste pipe fittings. 40mm plastic P-trap is required, Code No. 102112.

Note: it is essential for the installation of the shroud that clearance is provided from the water inlet pipes and connections.

Bowl Capacity:

3.5 litres to overflow.

Overflow:

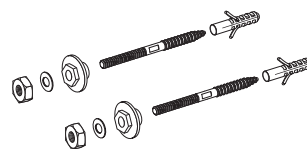
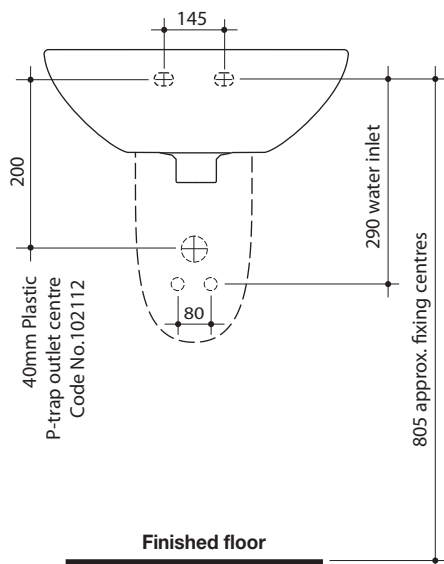
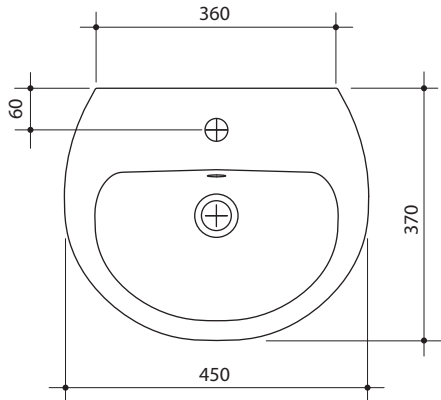
Overflow available only.

Colours:

White only.

Dimensions:

All dimensions are in millimetres and are subject to normal manufacturing variations. Caroma pursues a policy of continuing improvement in design and performance of its products. The right is therefore reserved to vary specifications without notice.



Basin Fixing Kit included with basin

