

SHROUD INSTALLATION

- 1- Fix the Concealed Fixing Bracket (supplied) to the wall, as detailed in **Fig. 3**.
- 2- Ensure basin is secured and plumbing is connected. Water inlet connections must be positioned as shown in **Fig. 3**. The brass elbow shown in **Fig. 2** to be used only on 3 tap hole basin (not supplied).
- 3- Gently position the shroud into position beneath the basin and locate the plastic fixing sleeves (supplied) into the holes each side of the shroud. Screw the fixing studs into the concealed fixing bracket and tighten with a Allen key (not supplied) to mount the shroud to the wall.

IMPORTANT: DO NOT OVER TIGHTEN, AS THIS MAY CRACK THE SHROUD SIDE.

- 4- Check shroud is level and secured against basin. Snap on plastic cap (supplied).

P Trap Outlet Centre

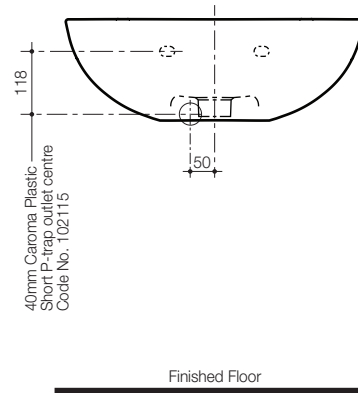


Fig. 1

Shroud Detail

For 3 tap holes with Shroud only, use Elbow M&F Brass 1/2" x 1/2" BSP (not supplied)

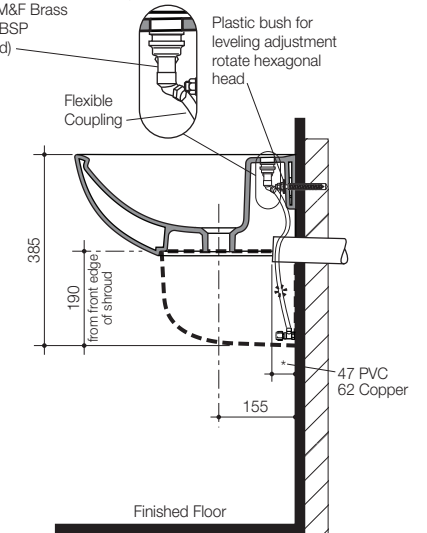


Fig. 2

Shroud Fixing

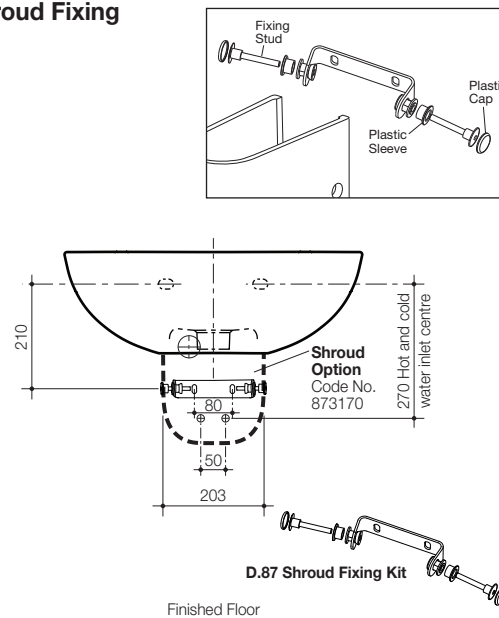


Fig. 3