

# caroma<sup>®</sup>

## Modina Bottle Trap

### PLUMBERS INSTALLATION INSTRUCTIONS PLEASE READ CAREFULLY BEFORE INSTALLATION

The 40mm Modina Bottle Trap has been designed for use with the Caroma range of chrome plated Uni-wastes.

There are four suitable Uni-wastes available for installation with the Modina Bottle trap in the following options - Flush Fitting Plug and Waste Code No. 687140, Vandal Resistant Flush Fitting Plug and Waste Code No.687141, Covered Plug and Waste Code No.687142 and Vandal Resistant Covered Plug and Waste Code No.687143

#### Supplied components:

The bottle trap will come with two major pre-assembled components.

- A** - trap body
- B** - waste pipe

Seals provided:

- One flat seal for connection to the basin
- One O-ring to connect the waste pipe (B) to the body (A)
- Two keeseals

#### Installation procedure.

For varying installation requirements the bottle trap can be cut to size to basin and waste pipe connection, as follows.

1. Measure the basin waste setout **C**, as detailed in Fig.2
2. Cut waste pipe **B** to the length **C** minus 45mm.
3. Ensure that 40mm DWV pipe projection is 22mm from wall.
4. Assemble the bottle trap and fix it to the basin waste. Measure the height difference between the waste pipe centre and the bottle trap waste centre **D**, as detailed in Fig. 2.
5. Cut the height spacer, make it shorter by the height difference **D**, as detailed in Fig. 3
6. Fit the bottle trap to the basin and waste pipe. For ease of installation need to loosen the basin fittings and lift the basin at the front while fixing the bottle trap.

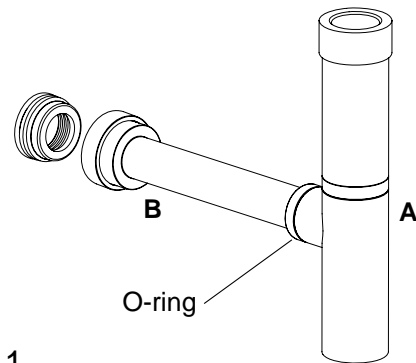


Fig. 1

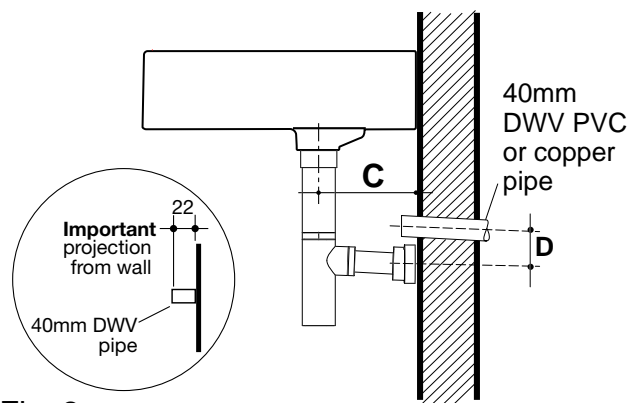


Fig. 2

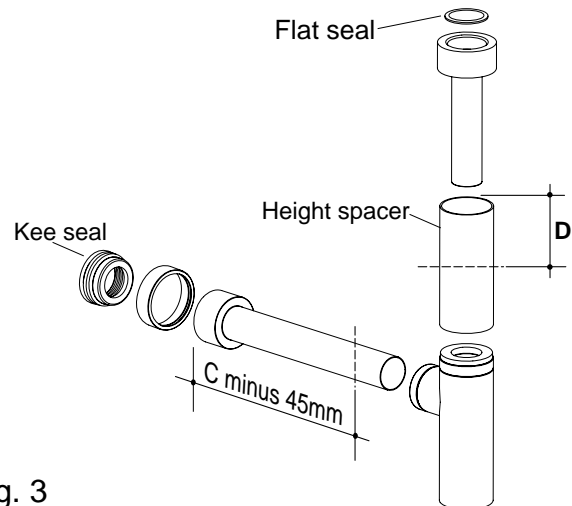


Fig. 3

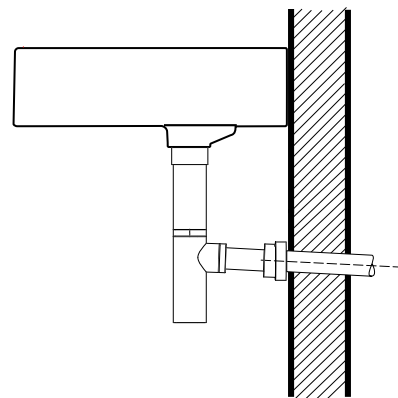


Fig. 4

All measurements are subject to accepted manufacturing tolerances.  
To ensure accuracy please check actual product dimensions before drilling for installation.  
The manufacturer reserves the right to change specifications at any time without giving prior notification.  
This product should be installed by a qualified plumber. Local authority, Water Board, and Building Regulations may apply to the installation of this product, and you should consult the appropriate bodies on these requirements. Failure to comply may invalidate the product warranty.