

# Giorgia Inset or Island Bath with tile bead

Product Code: **GI1500M / GI1700M**



**MADE IN AUSTRALIA**

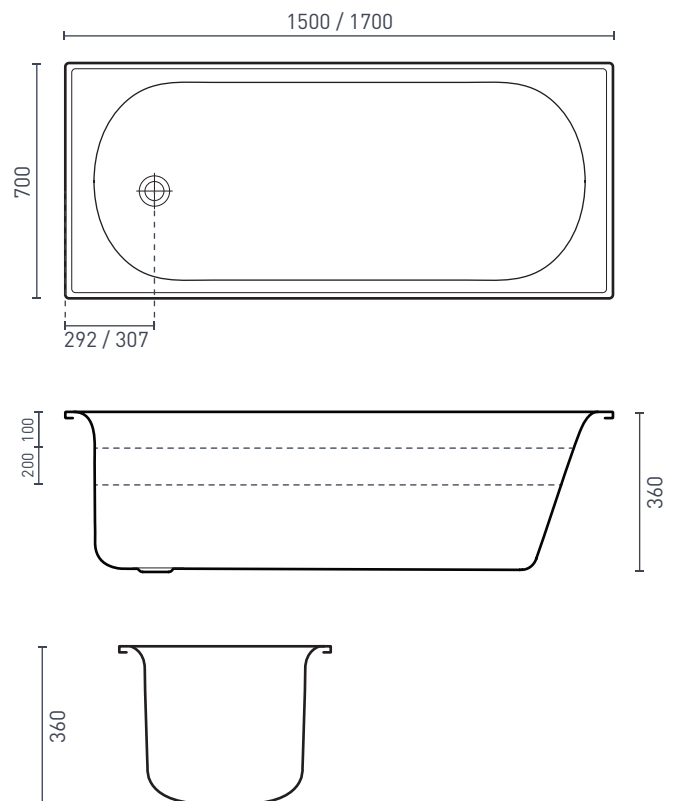
The Giorgia's scratch resistant, enamel steel fabrication is a stylish & durable alternative to acrylic. This versatile, bath has been designed for either an island or inset installation.

- AS/NZ Standard 2023/1995
- Tile bead strip included
- Non-porous 1.5mm enamel
- Lumbar support



## PRODUCT SPECIFICATIONS

<b>Colour:</b>	High Gloss White
<b>Material:</b>	Premium pressed metal
<b>Length:</b>	1500mm / 1700mm
<b>Width:</b>	700mm
<b>Height:</b>	360mm
<b>Capacity:</b>	65L / 75L [200mm below the bath rim]
<b>Bath Type:</b>	Inset or Island
<b>Waste Position:</b>	End
<b>Net Weight:</b>	21kg / 24.2kg
<b>Warranty:</b>	5 years* (refer to <a href="http://decina.com.au">decina.com.au</a> )



## OPTIONAL ACCESSORIES

Sia Black Headrest **SY242-B**

Plug & Waste **Various**

**DECINA**  
DISCOVER INDULGENCE

[DECINA.COM.AU](http://DECINA.COM.AU) 1300 DECINA

\*Warranty T&Cs apply, visit [decina.com.au](http://decina.com.au) Decina reserves the right to change specifications without notice. Due to manufacturing tolerances dimensions may vary +/- 5mm. We recommend installation does not start until after delivery. Please confirm all particulars prior to purchase, call 1300 DECINA or visit [decina.com.au](http://decina.com.au)