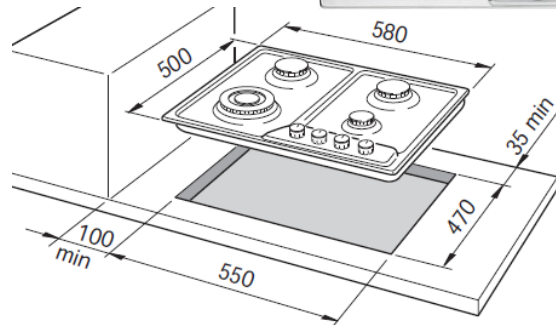


- 4 Burner Gas Cooktop including:
 - 1 Auxiliary Burner
 - 2 Semi-Rapid Burners
 - 1 Triple Ring Burner
- Instant Automatic Ignition
- Simmer Control at Low Temperatures
- Front Control
- Suitable for Natural Gas or LPG
- (Conversion Kit Included)
- Flame Failure Safety Cut-Off on all burners
- 2 pcs Heavy Duty Cast Iron Trivets, including Wok Support and Small Pan Trivets
- Easy to clean one piece stainless steel
- Recessed Cooktop to catch spills



Cast Iron Trivets

Cast iron pan supports provide stability for pots and pans. They are easy to clean and long lasting, providing a professional look for years to come.



Triple Ring Burner

A powerful triple ring burner provides heat from three fire crowns with a single control for even heat distribution, making it perfect for wok cooking.



Instant Ignition

With just the push of a button, an electronic device causes a continuous series of sparks to quickly and easily ignite the selected burner.

TECHNICAL SPECIFICATIONS

Product Dimensions (H x W x D)	mm	30 x 580 x 500
Front Right Auxiliary Burner (LPG / Nat Gas)	MJ/h	3.6 / 3.6
Rear Right Semi-Rapid Burner (LPG / Nat Gas)	MJ/h	6.3 / 6.3
Rear Left Semi-Rapid Burner (LPG / Nat Gas)	MJ/h	6.3 / 6.3
Front Left Triple Ring Burner (LPG / Nat Gas)	MJ/h	11.9 / 11.9
Total Gas Consumption – LPG / Nat Gas	MJ/h	28.1 / 28.1
Warranty		2 years

The product dimensions and specifications on this page apply to the specific product and model at the time of issue. These dimensions and specifications may change at any time.

**Diagrams are a guide only. Final fittings should be made with actual product.*

