

IFO Toilet - S Trap Seat with Lid with Support Arms

CARE601

Key benefits of the CARE601 toilet include ease of access for elderly or disabled persons, or those with limited mobility. Support arms raise individually to facilitate full access by users. Toilet roll holders fitted on both sides to cater for people with limited movement on one side of the body.

Recommended for use in hospitals and nursing homes where patients or residents need extra assistance in the bathroom.

CARE601 Includes:

Free Standing Ifo WC S-Trap, Pressalit Sign Double Flap Toilet Seat (Anthracite Grey), Raised Flush Button and Support Arms

FEATURES

- Free Standing WC
- Arms easy to mount onto WC with hard seat
- Toilet roll holders fitted on both left and right hand sides
- Arms individually raise up and back for full access
- System load tested to 150kg
- 460mm seat height (480mm including Pressalit Sign Seat)
- 95 degree cistern to pan angle
- Cistern complies with all angles thrust test (for AS1428.1:2009) of 1100 N for backrest requirements
- Pan load rated to 400kg
- Seamless cistern offering back and side transfer support
- Patented Fresh WC blue stick technology enabled for increased infection control
- Toilet pan fixed to the floor using 316 stainless steel pan screws supplied or fixing bracket (available separately), with all mounting contact surfaces to be thoroughly sealed with high grade anti-bacterial silicone.
- **Provides 100% consistency and reliability as combined WC and back support - no additional backrest needed**

OPTIONS

Waterproof floor mounting bracket
Without support arms

IFO98015
CARE6861

SPARE PARTS

Toilet Roll Holder for IFO98125 (each)

IFO96348



Product Codes

CARE601	With Grey Double Flap Seat
CARE601W	With White Double Flap Seat
CARE601XL	With Grey Double Flap Seat w/ Left Hand Nurse Call *
CARE601XR	With Grey Double Flap Seat w/ Right Hand Nurse Call *
CARE601WXL	With White Double Flap Seat w/ Left Hand Nurse Call *
CARE601WXR	With White Double Flap Seat w/ Right Hand Nurse Call *
CARE601GSC	With Grey Double Flap Soft Close Seat
CARE601WSC	With White Double Flap Soft Close Seat
CARE601BSC	With Black Double Flap Soft Close Seat

* Left or right hand position determined from seating position

Version: Jun 20

Call 1300 369 273
www.enware.com.au

Enware Australia Pty Limited
9 Endeavour Rd Caringbah NSW 2229 Australia
Ph: 02 8536 4000 info@enware.com.au

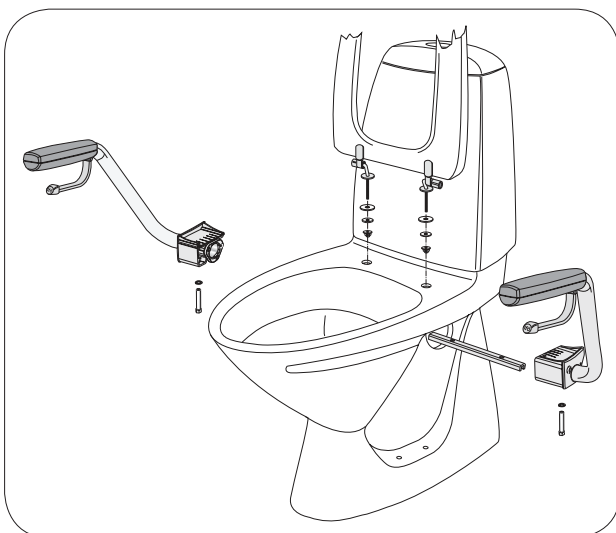
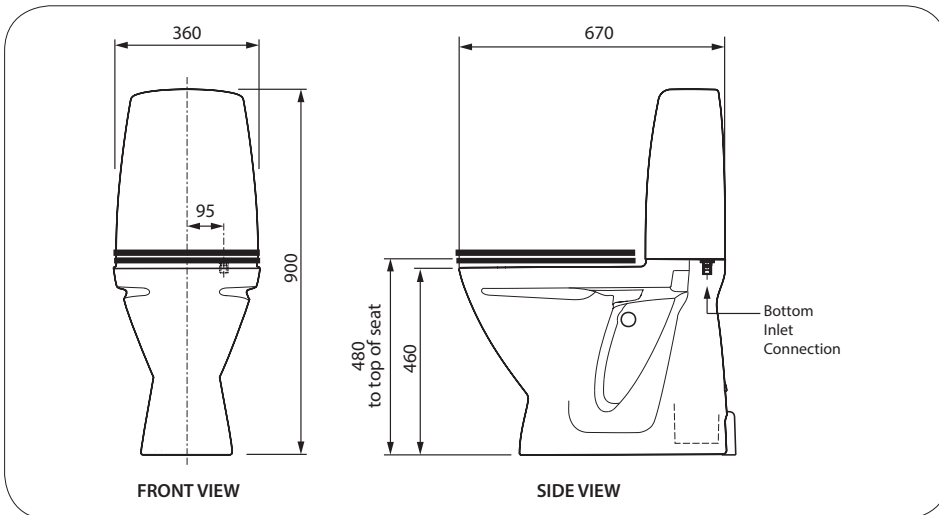
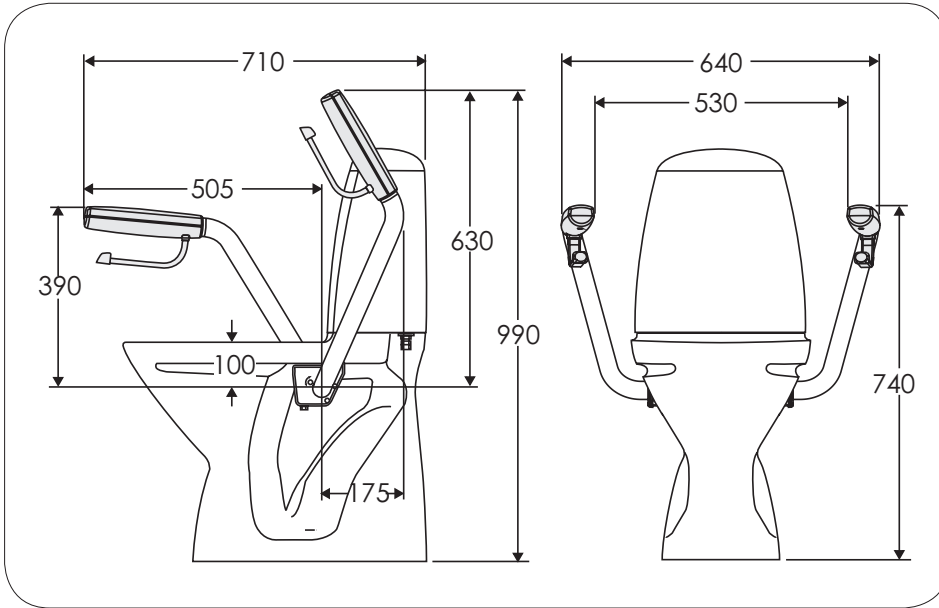

WaterMark
AS1172-1
WM-040187


DNV
Certifikate Nr. 2004-SKM-AE-825
ISO 14001:2004
Certifikate Nr. 2004-SKM-AQ-2054
ISO 9001:2000



IFO Toilet - S Trap Seat with Lid with Support Arms

CARE601



KIT COMPONENTS:

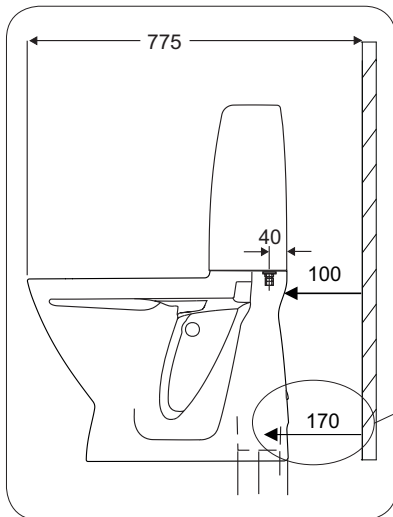
- | | | |
|---|------------------|-----------------|
| Enware IFO Toilet Pan S Trap Increased Height | IFO6861 | CARE6861 |
| Raised Height Flush Button | IFO98308 | |
| Pressalit Sign Toilet Seat (With Lid, in Anthracite Grey) | IFO554112-BD1999 | |
| Pressalit Sign Toilet Seat (With Lid, in White) | IFO554000-BD1999 | |
| Ifo Support Arms | IFO98125 | |
| Ifo Support Arms with Left Hand Nurse Call | IFO98125XL | |
| Ifo Support Arms with Right Hand Nurse Call | IFO98125XR | |

Call 1300 369 273
www.enware.com.au

Enware Australia Pty Limited
 9 Endeavour Rd Caringbah NSW 2229 Australia
 Ph: 02 8536 4000 info@enware.com.au



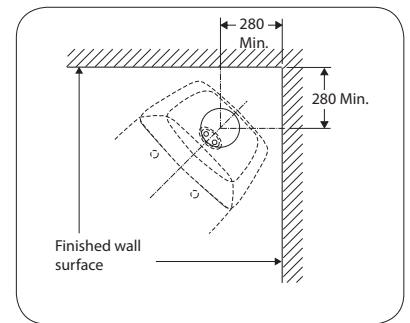
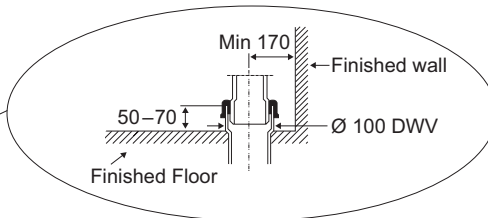
Ifo Toilet - S Trap - WC Set Out



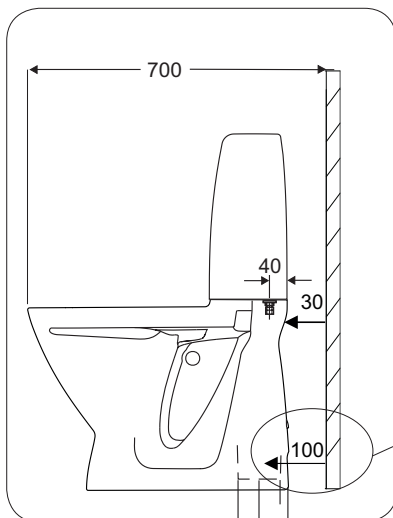
Institutional/Health set out

Set out typical for hospitals which allows for substantial air circulation and free coving

Distance from finished wall to front of pan	775mm
Distance from finished wall to back of pan	100mm
Distance from finished wall to centre of outlet	170mm



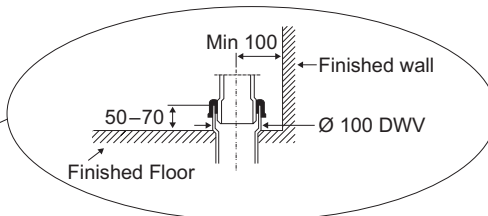
45° Corner Set up with arm support system



Minimum set out

The minimum to still allow air circulation behind the WC pan

Distance from finished wall to front of pan	700mm
Distance from finished wall to back of pan	30mm
Distance from finished wall to centre of outlet	100mm



Call 1300 369 273
www.enware.com.au

Enware Australia Pty Limited
9 Endeavour Rd Caringbah NSW 2229 Australia
Ph: 02 8536 4000 info@enware.com.au

