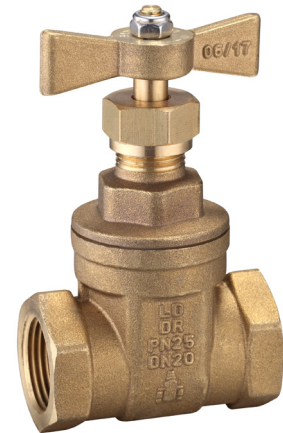
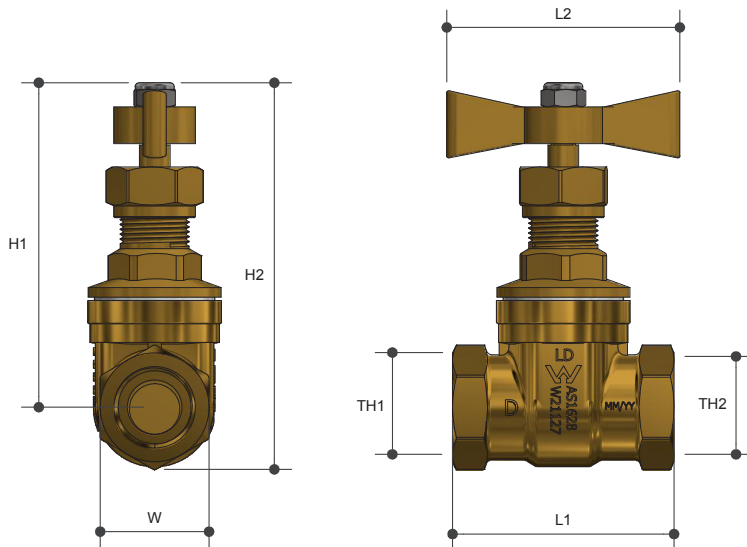


GATE VALVE

Watermarked T Handle

Product Specifications



Specifications

Working temperature 1 °C to 95 °C

Maximum pressure rating 2500 KPa

Sizing Chart (MM)

	L1	L2	H1	H2	W	TH1	TH2
GV15BH	57	60	84	99	28	Rp 1/2"	Rp 1/2"
GV20BH	62	60	93	112	34	Rp 3/4"	Rp 3/4"
GV25BH	70	60	104	128	40	Rp 1"	Rp 1"
GV32BH	80	108	122	150	51	Rp 1 1/4"	Rp 1 1/4"
GV40BH	88	108	137	160	57	Rp 1 1/2"	Rp 1 1/2"
GV50BH	95	108	154	189	70	Rp 2"	Rp 2"
GV65BH	117	140	188	231	86	Rp 2 1/2"	Rp 2 1/2"
GV80BH	140	140	207	261	101	Rp 3"	Rp 3"
GV100BH	166	140	260	324	125	Rp 4"	Rp 4"

Features

Watermark approved

DR Brass

Full bore

100% pressure tested

Available in sizes 15mm (1/2") to 100mm (4")

Tested and certified to AS 1628

Material Chart

Part	Material
Body	DR Brass
Cover	DR Brass
Gate	DR Brass
Stem	DR Brass
Lock Nut	DR Brass
Packing Gland	PTFE
Gasket	PTFE
Hex Cap	Stainless Steel
Nut	Brass
Handle	DR Brass

For more information on Logi Valve, contact:
Austworld 15 Activity Crescent, Molendinar, Queensland 4214 Australia

P. 1300 780 430 F. 1300 780 441 E. info@austworld.com.au

Austworld Pty Ltd. All rights reserved 2018. Austworld and Logi Valve are registered trade mark belonging to Austworld Pty Ltd.

