

ATMS242 AQUABLEND™ 5-YEAR UPGRADE SERVICE KIT

NOW WITH NEW FEATURES

- Thermal Flush Activation Point*
- Locking Grub Screw for Temperature Adjustment Spindle*
- Red cap for easy Thermal Flush identification

AQUABLEND 5-YEAR UPGRADE SERVICE KIT FOR AQUABLEND THERMOSTATIC MIXING VALVE MODELS 1000[#], 1500 and 2000[#]

FOR CURRENT MODELS SINCE 2008

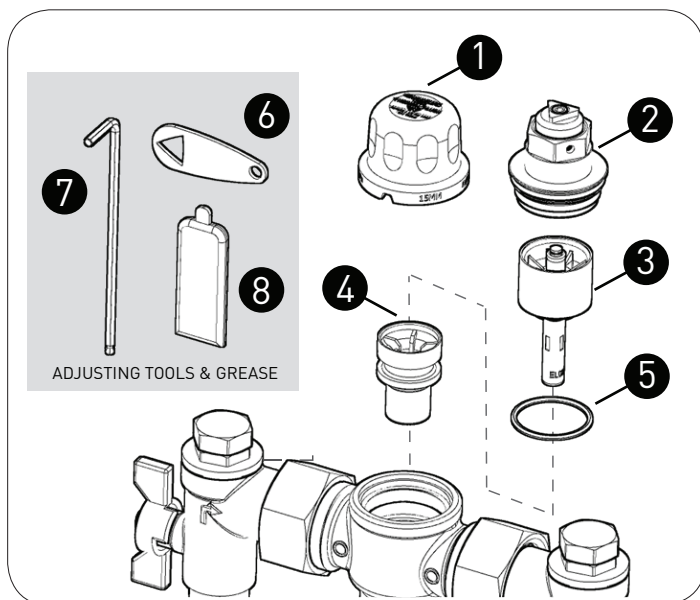


WaterMark

AS 4032.1 Lic1593
SAI Global

*Thermal Flush is an added optional feature. The valve will function as normal with or without using the Thermal Flush.

KIT INCLUDES



- Red Lock Shield (protective cover)
- Thermal Flush Top Cap Assembly/ Cold Seat
- Element & Piston Assembly
- Mixing Tube
- O-ring (Body O-ring)
- Temperature Adjustment Key
- Allen Key
- Grease

For water supply use only.

RECOMMENDED PRESSURES & TEMPERATURES

MIXED OUTLET TEMPERATURE		
Temperature Adjustment Range	38-50°C	
INLET TEMPERATURES		
Cold Supply	Minimum	5°C
	Maximum	30°C
Hot Supply	Minimum	55°C
	Maximum	90°C
Hot to Mix Temperature Differential for Stable Operation	Minimum	10°C
Cold to Mix Temperature Differential for Stable Operation	Minimum	5°C
FLOW RATES		
Minimum - 2 lpm (4 lpm recommended for optimum performance)		
Maximum - 39 litres/min @ 300kPa Pressure loss		
DYNAMIC INLET PRESSURES		
Hot & Cold Inlet Pressures	Minimum	20kPa
	Maximum	500kPa
STATIC INLET PRESSURES		
Hot & Cold Inlet Pressures	Maximum	1600kPa
INLET PRESSURE RATIO		
H - PL = H'	H = Hot inlet pressure	
C - PL = C'	C = Cold inlet pressure	
H' : C' = Max 10:1	PL = Pressure Loss	
C' : H' = Max 10:1		

NOTE: For optimum operation it is recommended that the hot & cold water supply pressures be balanced to within +/- 10%. Notwithstanding the above, compliance with AS3500 must be maintained.

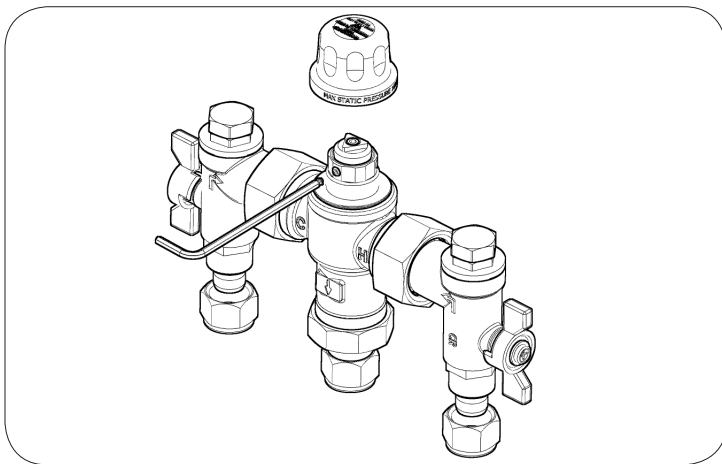
The ENWARE AQUABLEND Upgrade Service Kit is guaranteed free from manufacturing defects for a period of 24 months.

For full terms and conditions, refer to Product Warranty on www.enware.com.au

ATMS242 AQUABLEND™ 5-YEAR UPGRADE SERVICE KIT

5 -YEAR SERVICE PROCEDURE

1. Ensure a clean, dry work area is available. Inspect the valve and the surrounding area for leaks or water damage. Clean the external surfaces of the valve.
2. Turn both cold & hot inlet valves OFF
3. Clean the strainers, and check non-return valve operation as per the annual maintenance procedure*.
4. Proceed to take out old components from the valve body:
 - a. Lock Shield (protective cover) use a small flat bladed screw driver to lever off the valve body
 - b. Top Cap Assembly
 - c. Element Piston Assembly
 - d. Mixing Tube
 - e. O-ring (Body O-ring)
5. Check for any debris or grease build up inside the valve body, and ensure the internal surface of the body is clean and free from debris.
6. Proceed to install the new components from the Service Kit, in the following order:
 - a. Body O-ring (lightly grease before installing)
 - b. Mixing Tube
 - c. Element Piston Assembly
 - d. Top Cap Assembly (lightly grease before installing)
7. Note the location of the temperature adjustment locking grub screw located on the hex of the Top Cap. SEE IMAGE ▼ If the grub screw is not in an easily accessible position, relocate it to the most accessible one of the 3 screw holes provided. Leave the grub screw loose. If the grub screw is tight, loosen the grub screw.
8. Proceed to Temperature Adjustment and Shut-Down Test, as per the annual maintenance / commissioning procedure.
9. Once the valve has passed the tests and the outlet temperature is set, tighten the temperature adjustment locking grub screw. SEE IMAGE ▼
10. Push the Red Lock Shield (protective cover) firmly onto the top of the valve until it 'snaps' into place.
11. Ensure that all details of the Servicing Report are completed & signed, and a copy of this report should be kept with the service technician & owner of the premises.
12. The 5-Year Upgrade Service is now complete and the valve can be used within the technical limits of operation.



THERMAL FLUSH OPTION

This service kit has a new Thermal Flush feature, which is an added optional procedure that allows hot water to pass through the valve and perform a controlled thermal flush to the TMV and warm water plumbing system during critical decontamination/ maintenance procedures - a major step forward in Legionella control.

NOTE: The thermal flush procedure is optional and does not form part of commissioning and service requirements set out in AS4032.3

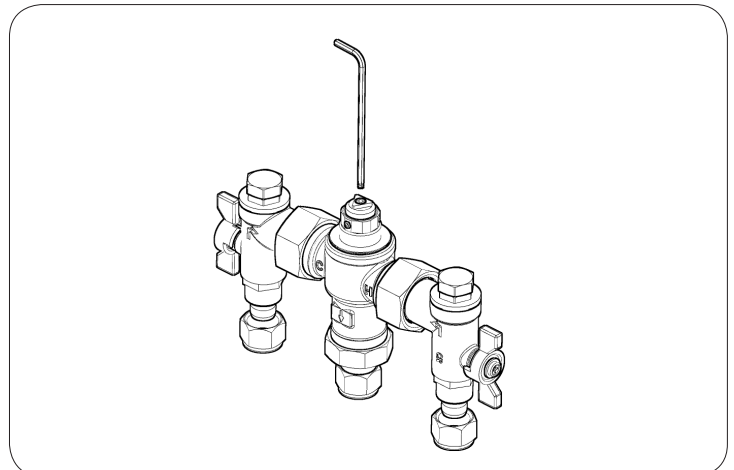
Before commencing the thermal flush, a site-specific procedure must be implemented to control the risk of scalding. Hot water will run directly to the outlets fed by the Thermostatic Mixing Valve, and precautions shall be taken to prevent the chance of injury.

THERMAL FLUSH OPTION PROCEDURE

1. Isolate both hot and cold inlet valves to the TMV.
2. Remove the TMV's Red Lock Shield (protective cover).
3. Check that the temperature adjustment locking grub screw is tight. The grub screw is located on the hex of the top cap. SEE IMAGE AT LEFT ▶
4. Insert a 3mm Allen key into the Thermal flush activation point located in the centre of the temperature adjustment screw on the valve's top cap.
5. Wind Thermal activation screw anti-clockwise until it stops. A red indicator will be visible.
6. Turn the hot water TMV inlet valve to the on position.
7. Turn the tapware outlet to the on position.
8. Once the required time set in the facility's Thermal Flush procedure has passed, turn the hot water TMV inlet valve to the off position.
9. Leaving the tapware outlet in the on position, turn the cold water TMV inlet valve to the on position.
10. Wind the Thermal Flush activation screw clockwise until it is all the way back in and sitting level with the temp adjustment screw. (Note: Spurts of cold water will discharge from the tapware outlet during this process.)
11. Turn the hot water TMV inlet valve to the on position.
12. Check the outlet flow, making sure it is within the required temperature range.
13. Turn the tapware outlet off.
14. Re-fit the Red Lock Shield to the TMV

WARNING: full temperature hot water will flow from the tapware. Care must be taken to prevent scalding.

NOTE: If the Red Lock Shield does not securely fit back to the top cap this indicates the thermal flush has not been disengaged. Repeat Steps 9-13



*Annual maintenance procedure can be found in any of Aquablend Thermostatic Mixing Valve Installation Instructions, which is available online at www.enware.com.au/1500info