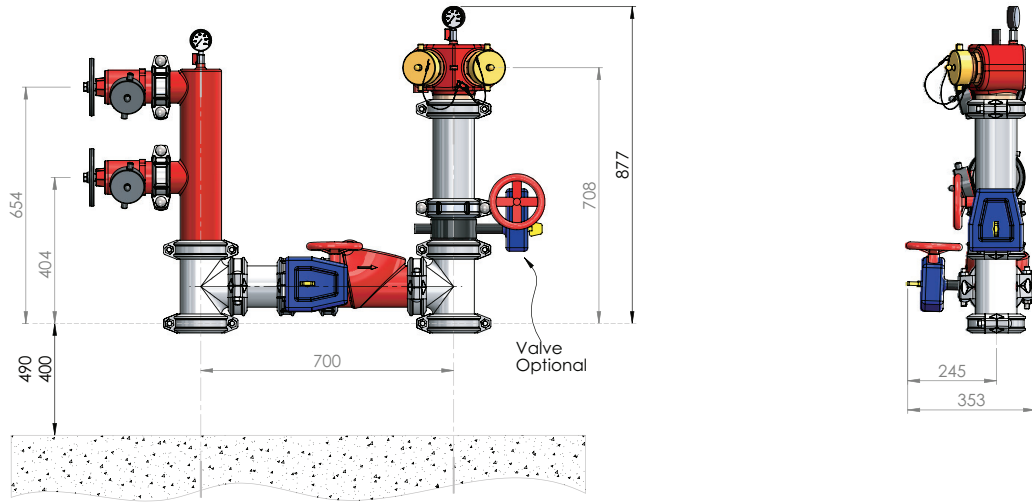


## QLD Combined Suction/Booster

Hydrant Boosters are designed in accordance with the requirements of AS2419.1-2005.



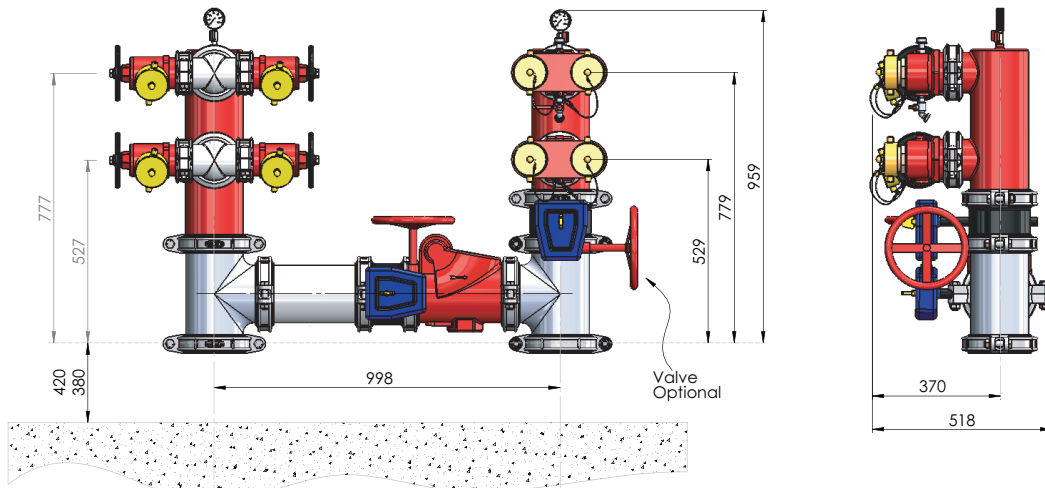
### 100NB Assembly

Part No.	Price \$
FFS-QHB100-XIV	4588.65

Note: Not assembled  
Dimensions based on using Short Series Fittings

Price Group: FE  
FP02

K



### 150NB Assembly

Part No.	Price \$
FFS-QHB150-XIV	7376.80

Note: Not assembled

Dimensions based on using Short Series Fittings.  
200, 250 and 300mm suction/booster units also available - price on application. Supplied in compliance with AS2419.1

Price Group: FE  
FP02