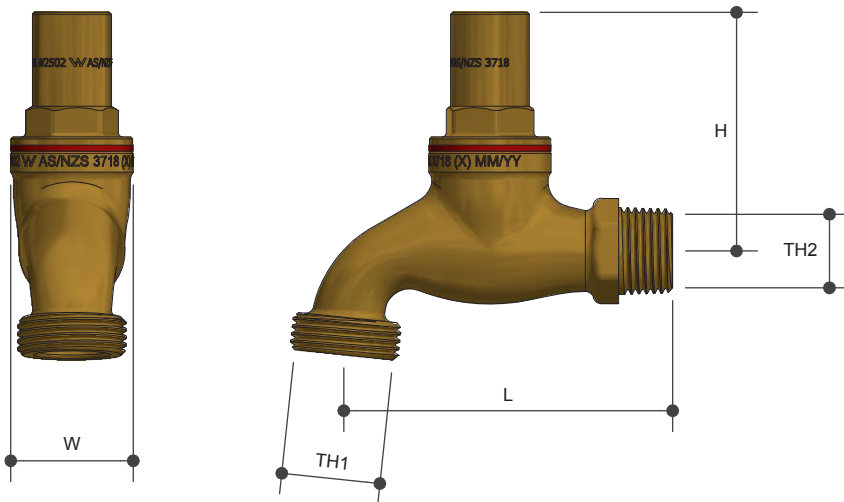


HOSE TAPS

Vandal Proof FI

Product Specifications

Metforge®
brassware



Specifications

Working temperature 1 °C to 75 °C

Max. pressure rating 1000kPa

Features

Watermark approved

Double O-ring spindle

Anti-vandal protection

Tested and certified to AS/NZS 3718

Sizing Chart (MM)

	L	H	W	TH1	TH2
TH67F	79	58	30	G 3/4"	R 1/2"
TH68F	79	58	30	G 3/4"	R 1/2"
TH69F	75	56	33	G 1"	R 3/4"
TH70F	75	56	33	G 1"	R 3/4"

Material Chart

Part	Material
Body	DR Brass
Jumper	PA
Washer	Fibre
Cap	DR Brass
O Ring	EPDM
Spindle	DR Brass
Seal	EPDM

For more information on Metforge, contact:

Austworld 15 Activity Crescent, Molendinar, Queensland 4214 Australia

P. 1300 780 430

F. 1300 780 441

E. info@austworld.com.au

Austworld Pty Ltd. All rights reserved 2018. Austworld and Metforge are registered trade mark belonging to Austworld Pty Ltd.

AW
AUSTWORLD